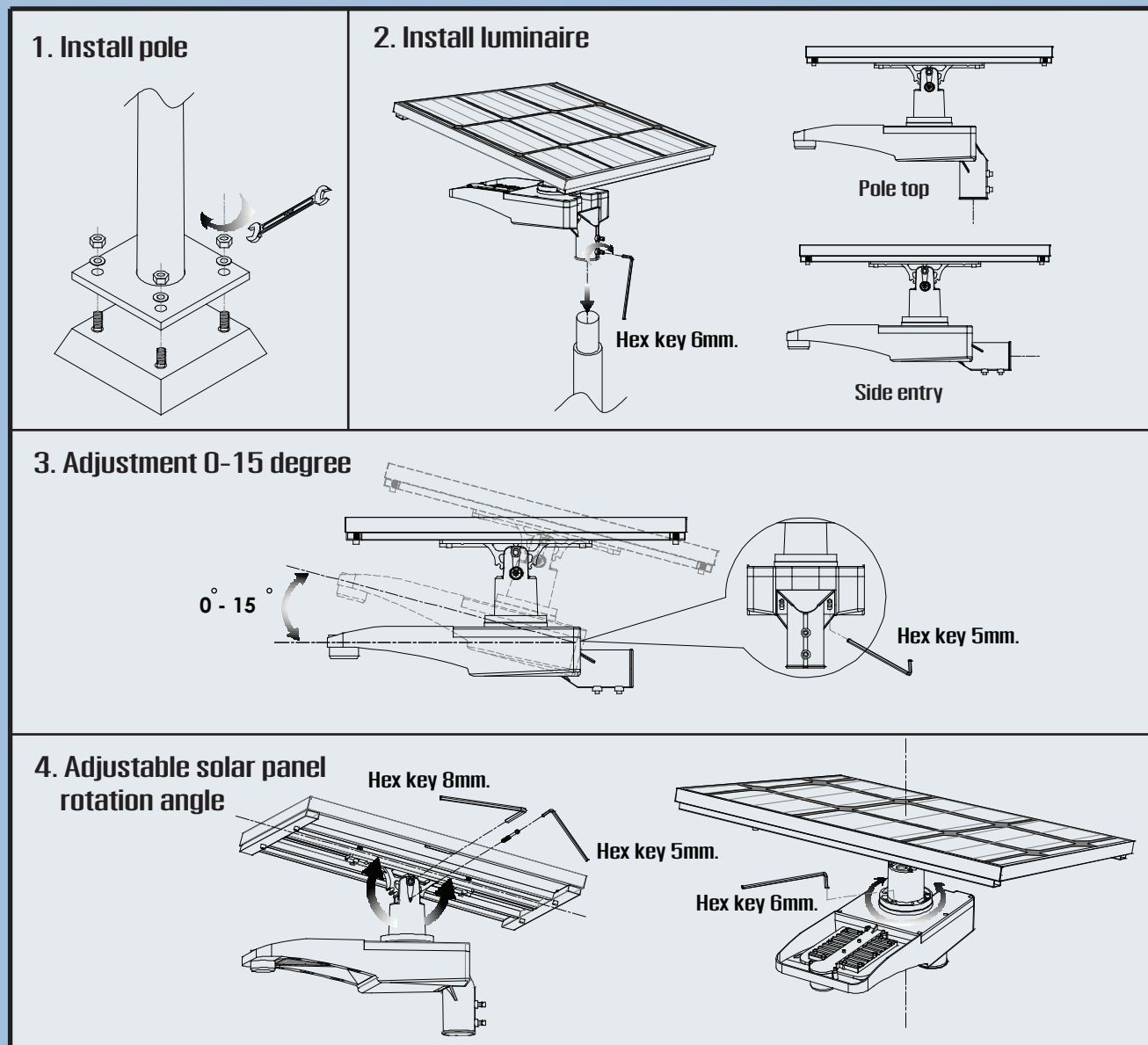


Easy to install

No need for electrical wiring



Default working mode

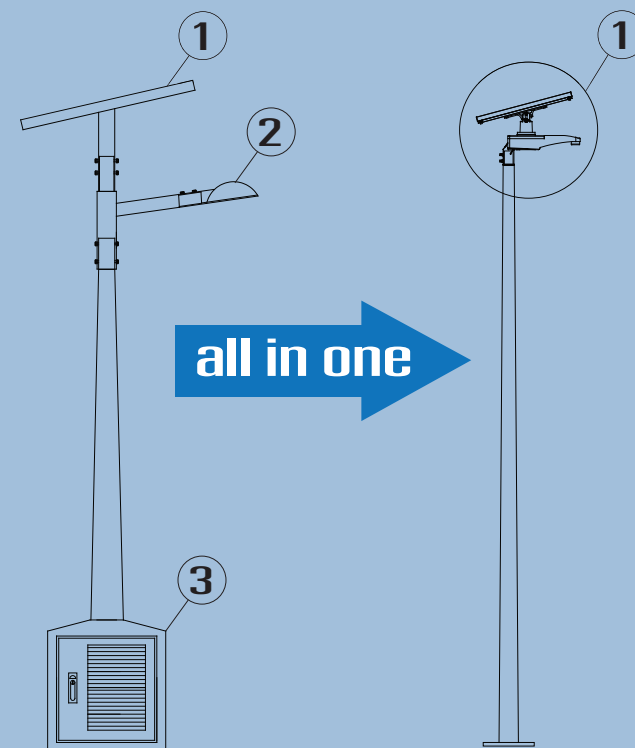
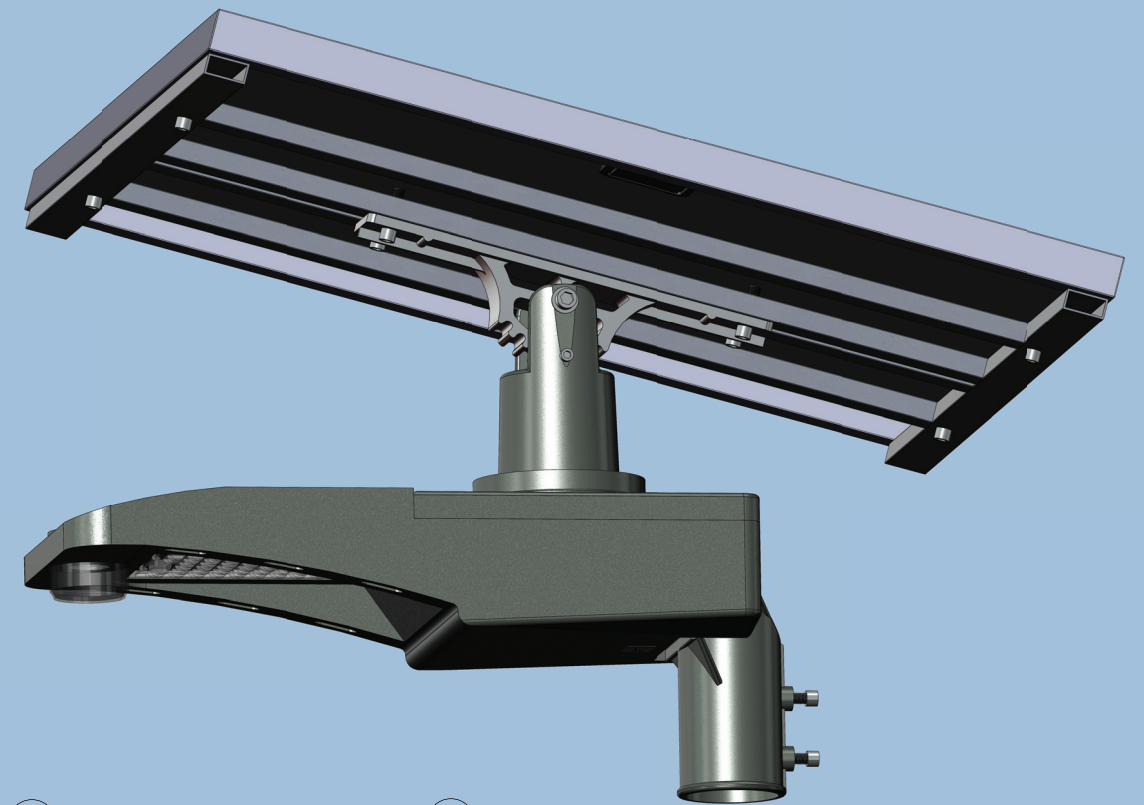
Lighting time of 12 hours/day, 4 hours 100% full power, 2 hours 50% full power, 6 hours 30% full power

Have microwave induction switch, 100% current power when there are people, 30% current power when there are nobody

(light-controlled+time-controlled+human body induction)

Solar Street Light

LED



Free electricity

0 baht

Save installation costs up to 50%

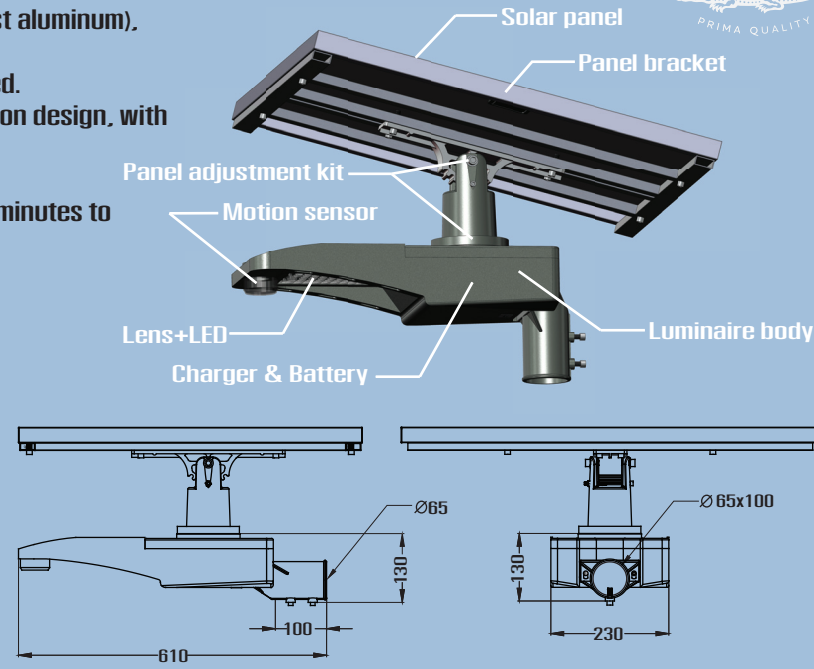
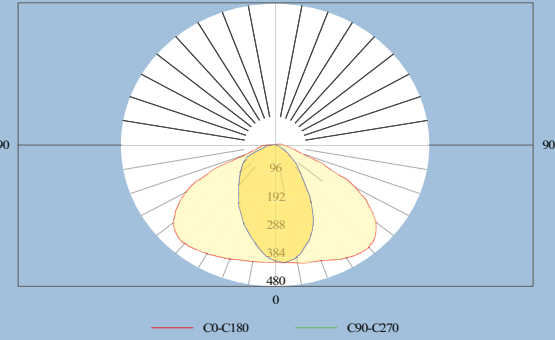


CHUE CHIN HUA CO.,LTD.
 6 Moo4 Suksawad Road, Bangkru, Phrapradaeng,
 Samutprakarn 10130
 Tel: (662)091-8511 Fax: (662)463-3944-5
 E-mail: pole-sale@cch.co.th
 www.cch.co.th



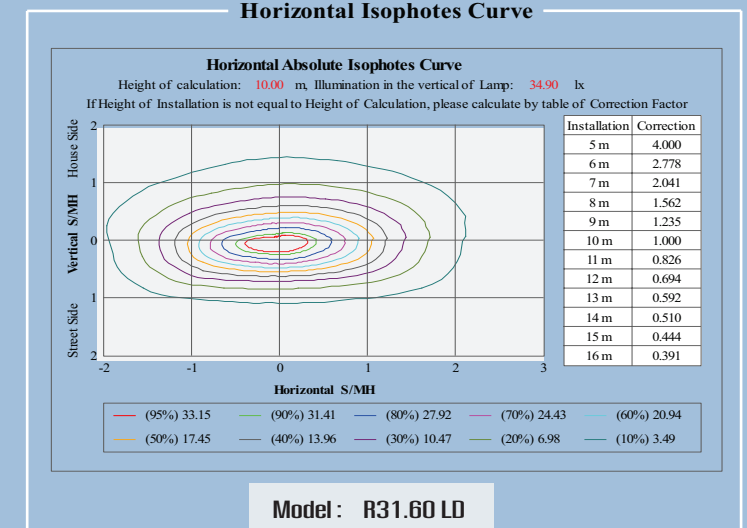
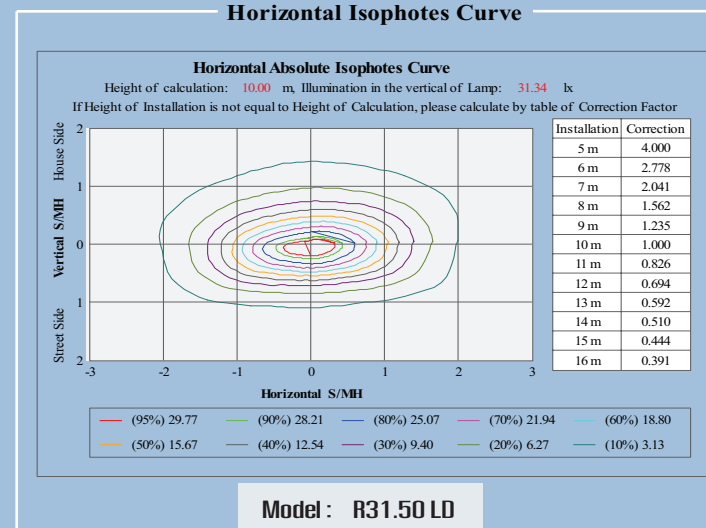
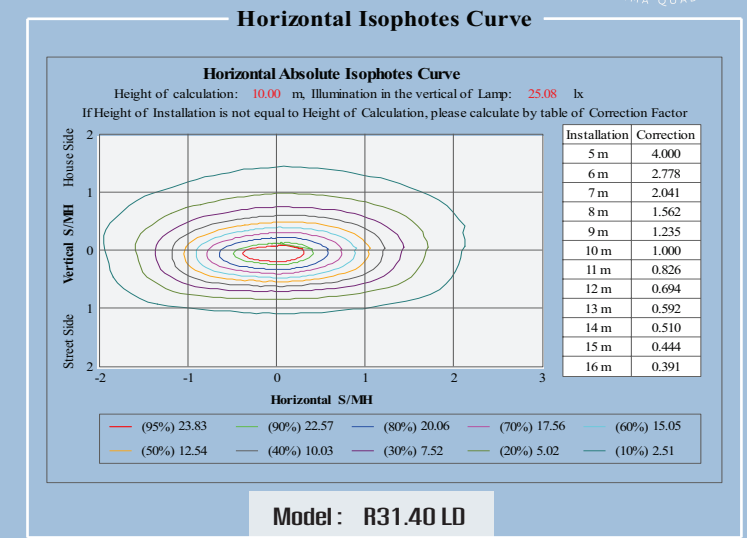
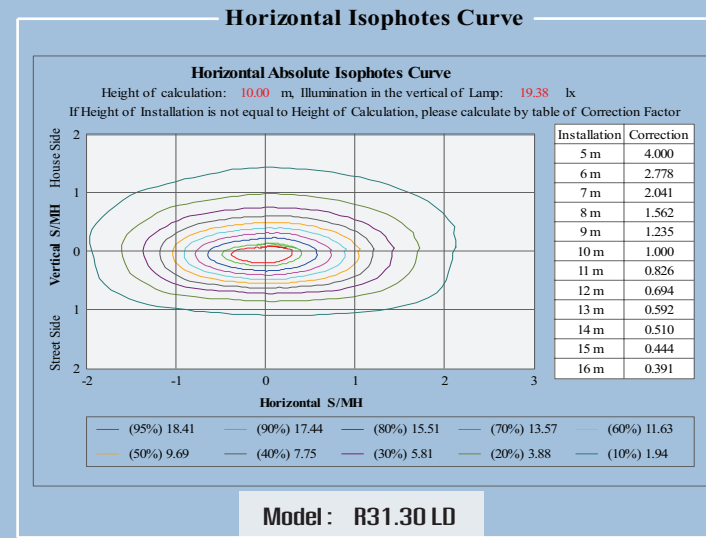
Features:

1. The whole lamp adopts high-end aluminum alloy (die-cast aluminum), patented product.
2. The direction and angle of the solar panel can be adjusted.
3. The working mode adopts intelligent human body induction design, with long sensing distance.
4. Beam angle: 140 degrees, rectangular spot design.
5. Easy to install, easy to maintain design, only need three minutes to disassemble, with automatic switching function.



Technical Specification

Model	R31.30 LD	R31.40 LD	R31.50 LD	R31.60 LD
Power	30 W.	40 W.	50 W.	60 W.
Lumen	>4500 lm	>6000 lm	>7250 lm	>8400 lm
Light Efficiency	150 lm/w	150 lm/w	145 lm/w	140 lm/w
Color Temperature	3000K, 4000K, 5000K, 5700K, 6500K (Customize)			
Led source	Bridglux5050			
The quantity of led chips	50pcs			
Lens material	Polycarbonate			
Battery Chemistry	Lithium Ferro Phosphate (LiFePO4)			
Battery Capacity	345WH 12.8V 27AH	422WH 12.8V 33AH	540WH 12V 45AH	660WH 12V 55AH
High efficiency monocrystalline silicon solar panels	18V 70W High efficiency monocrystalline silicon solar panels	18V 80W High efficiency monocrystalline silicon solar panels	18V 100W High efficiency monocrystalline silicon solar panels	18V 120W High efficiency monocrystalline silicon solar panels
Charging Electronics	Integrated MPPT Charger With Driver			
Charging Efficiency	> 90 %			
Housing	die-casting aluminium ADC12			
Adjustable Tilt Angle(Deg)	0-15 degree adjustable, Side entry or Pole top			
With body induction or not	Yes (Microwave Induction)			
Advised Installation pole Diameter	60-65mm			
Advised Installation pole Height	5~6M (Advised Installation distance 10-20m)	6~7M (Advised Installation distance 12-25m)	7~8M (Advised Installation distance 14-30m)	8~9M (Advised Installation distance 16-35m)
Working Temperature	-25 °C to 65 °C			
Charging Time	4-5 hours in sunny weather			
Rainy Day	2 Rainy Days			
Protection Grade	IP65			
Certification	ISO 9001:2015			
Warranty	2 years			
Size	610*230*130mm			
Lamp Packing size	640*270*200mm			
Solar panels Packing size	680*770*65mm	880*680*65mm	1030*680*65mm	1220*680*65mm



TYPE	DRAWING	POLE HEIGHT / mm.	BOTTOM DIA. (∅D)/mm.	BASE PLATE (A x A x T) / mm.	CENTER BOLT (B x B) / mm.	HOLE (∅C) / mm.	BOLT		
STEEL LIGHTING POLE HEIGHT 3-9 M. FOR SOLARCELL		3,000	119	300x300x18	200x200	22	4-M19		
		4,000	133	350x350x25	250x250	32	4-M25		
		5,000	147	350x350x25	250x250	32	4-M25		
		6,000	162	350x350x25	250x250	32	4-M25		
		7,000	176	350x350x25	250x250	32	4-M25		
		8,000	190	350x350x25	250x250	32	4-M25		
		9,000	205	400x400x25	300x300	32	4-M25		
		9 WAVE SHAPE ROUND STEEL POLE HEIGHT 3-9 M. FOR SOLARCELL		3,000	119	380x380x8	250x250	30	4-M25
				4,000	133	380x380x8	250x250	30	4-M25
5,000	147			380x380x8	250x250	30	4-M25		
6,000	162			380x380x8	250x250	30	4-M25		
7,000	176			380x380x8	250x250	30	4-M25		
8,000	190			380x380x8	250x250	30	4-M25		
9,000	205			380x380x8	250x250	30	4-M25		
OCTAGONAL POLE HEIGHT 3-9 M. FOR SOLARCELL				3,000	119	300x300x18	200x200	22	4-M19
				4,000	133	350x350x25	250x250	32	4-M25
		5,000	147	350x350x25	250x250	32	4-M25		
		6,000	162	350x350x25	250x250	32	4-M25		
		7,000	176	350x350x25	250x250	32	4-M25		
		8,000	190	350x350x25	250x250	32	4-M25		
		9,000	205	400x400x25	300x300	32	4-M25		