

The new LED street light luminaire provides improved horizontal and vertical uniformity and reduced glare. This aluminium body combines strength, reliability and optimum photometric performance using LED technology minimizes light emission towards the upper hemisphere and provides a high degree of protection (IP66). It contains no hazardous materials for friendly environment. It provides a 20 to 30 percent reduction in system energy consumption and reduces maintenance frequency and has an estimated service life of more than 50,000 hours rated life (more than 10 years). Surge Protection 10 kV.

Applications

For roadway lighting, urban environments, government & municipal, pedestrian & recreation, or public facility lighting

LED Driver

The LED driver is situated in an independently mounted compartment in the optical assembly

Optics

Optical made from borosilicate glass(pyrex) assembly hermetically sealed providing IP66 protection & replaceable
CRI >70, CCT 3000, 4000 or 5000 Kelvin, 120 lm/W. Type II Streetlight

Life time

50,000 hours

Installation / Mounting

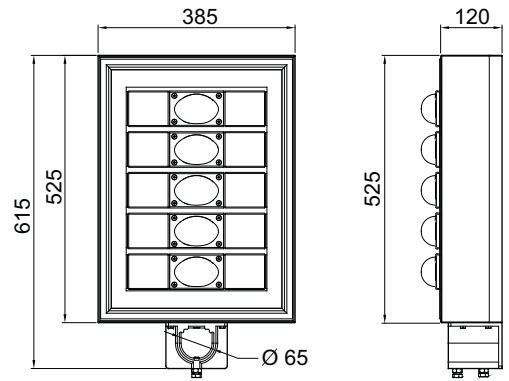
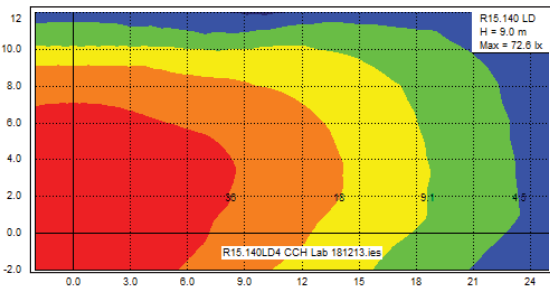
Side entry or pole top mounting 60 mm. bracket

ORDER CODE

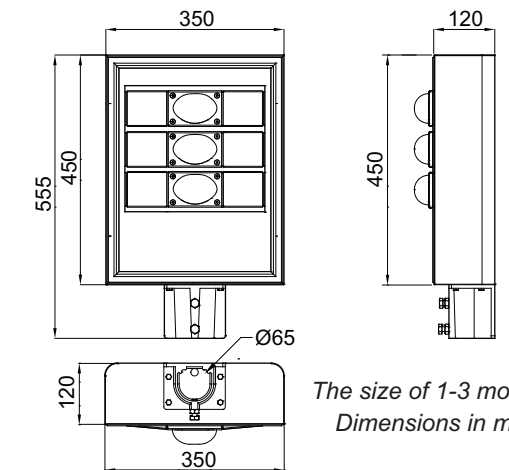
Type	Lamp
R21.30.LD	LED 30 W.
R21.35.LD	LED 35 W.
R21.40.LD	LED 40 W.
R21.45.LD	LED 45 W.
R21.50.LD	LED 50 W.
R21.60.LD	LED 60 W.
R21.70.LD	LED 70 W.
R21.80.LD	LED 80 W.
R21.85.LD	LED 85 W.
R21.90.LD	LED 90 W.
R21.100.LD	LED 100 W.
R21.110.LD	LED 110 W.
R21.120.LD	LED 120 W.
R21.125.LD	LED 125 W.
R21.130.LD	LED 130 W.
R21.140.LD	LED 140 W.
R21.150.LD	LED 150 W.
R21.160.LD	LED 160 W.
R21.165.LD	LED 165 W.
R21.170.LD	LED 170 W.
R21.180.LD	LED 180 W.
R21.190.LD	LED 190 W.
R21.200.LD	LED 200 W.
R21.210.LD	LED 210 W.

Complete custom design, and photometric data available upon request

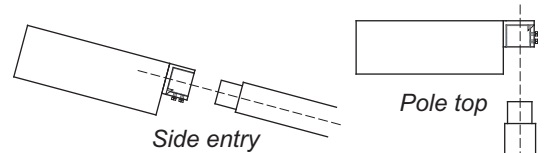
Iso-Lux Diagram



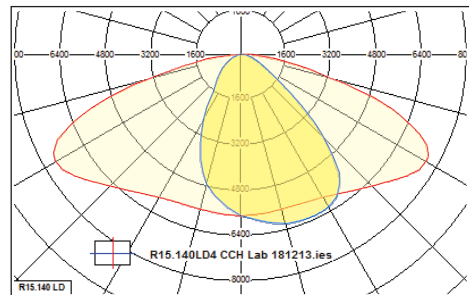
The size of 4-5 modules. Dimensions in mm.



The size of 1-3 modules. Dimensions in mm.



Polar Curve



RD-RL-029/Rev./No.01