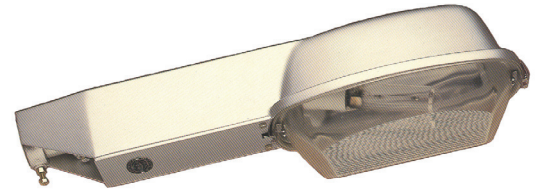


Body of pressed noncorrodible light aluminum alloy with grey stove enamel finish on the exterior surface to reduce daylight glare. Detachable mirror reflectors of top quality anodized aluminum sheets for the control of light distribution. Enclosing bowl of heat-resistant glass with prismatic refracting surface to provide wide angle light distribution. The refractor and body firmly secured together by a hinge and a snap-catch of stainless steel. Gasket of silicone or neoprene rubber to ensure perfect weather sealing of the optical assembly. Built-in high power factor control gear with low electrical losses, in a separate compartment for convenient servicing. Top quality hardware and accessories and perfect workmanship. Ready for connecting to 220V, 50Hz, single phase, two wire electrical supply. IP54/23 CLASS I



Applications

For roadway and streetlight, warehouse, docks, interchanges, stock yards, airport or parking area

Control Gear

Integral with power factor (P.F.) correction not less than 0.9

Optics/Material

Reflector, made of high purity anodized aluminum

Lamps

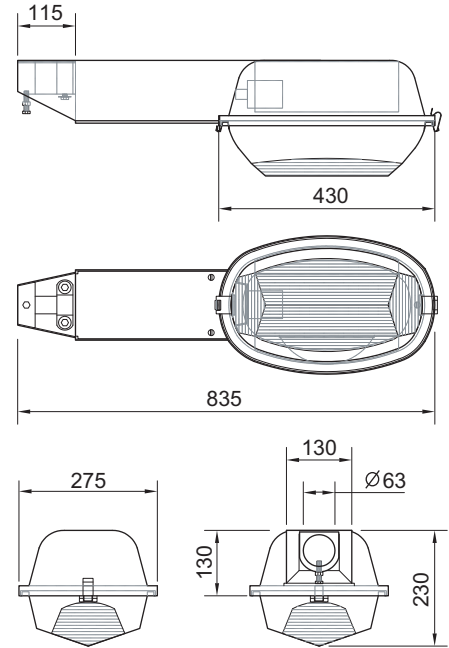
- 70W-150W High Pressure Sodium Lamp
- 150W Metal Halide Lamp
- 80W-125W High Pressure Mercury Lamp

Materials/finish

- Body : Heavy gauge noncorrodible aluminum alloy, Gray paint coating
- Reflector cover : Prismatic bowl (acrylic)
- Catches : Stainless steel

Mounting

Pole



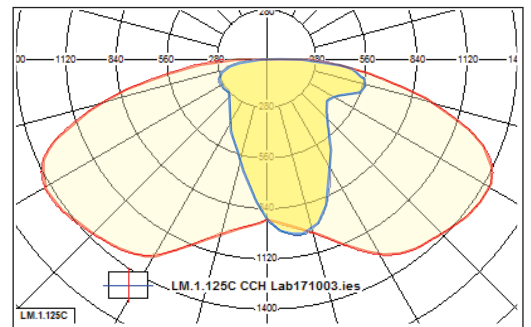
Dimensions in mm.

ORDER CODE

Type	Lamp
HS.1.70C	High Pressure Sodium 70W.
HS.1.150C	High Pressure Sodium 150W.
MH.1.150C	Metal Halide 150W.
LM.2.80C	High Pressure Mercury 80W.
LM.2.125C	High Pressure Mercury 125W.

HS = High Pressure Sodium, MH = Metal Halide
LM = High Pressure Mercury

Complete custom design, and photometric data available upon request



Iso-Lux Diagram

