

Luminaire Body made of noncorrodible light alloy with grey stove-enamel finish. Detachable mirror reflectors of top quality anodized aluminium sheets for control of light distribution. Light refracting bowl is prismatic type and made of clear acrylic. The bowl and body are firmly secured together by a hinge, and a snap-catch and of stainless steel. Gasket of silicone and neoprene rubber to ensure perfect weather sealing of the optical assembly. Built-in high power factor control gear with lower electrical losses. Top quality hardware accessories and perfect workmanship, ready for connecting to 220V, 50Hz, single phase, two wire electrical supply. IP54 CLASS I



### Applications

For roadway and streetlight

### Control Gear

Integral with power factor (P.F.) correction not less than 0.9

### Optics/Material

Reflector, made of high purity anodized aluminum

### Lamps

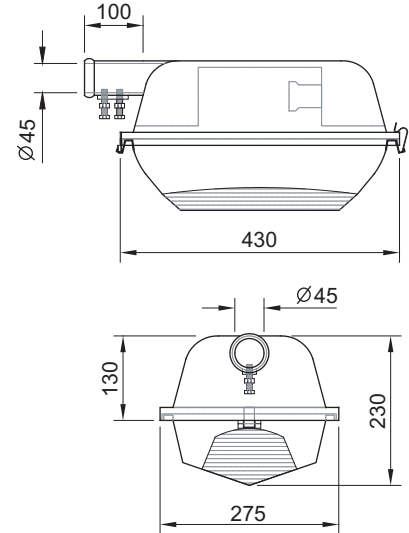
- 70W High Pressure Sodium Lamp
- 70W Metal Halide Lamp
- 50W-125W High Pressure Mercury Lamp

### Materials/finish

Body : Heavy gauge noncorrodible aluminum alloy, Gray paint coating  
 Reflector cover : Prismatic bowl (acrylic)  
 Catches : Stainless steel

### Mounting

Pole



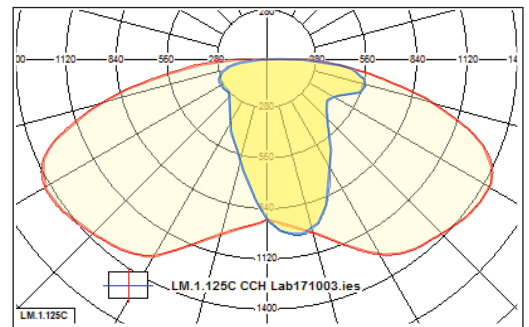
Dimensions in mm.

## ORDER CODE

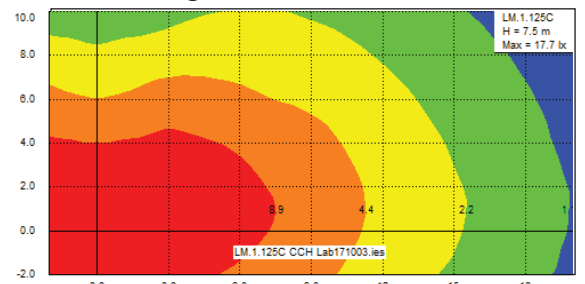
Type	Lamp
HS.1.70C	High Pressure Sodium 70W.
MH.1.70C	Metal Halide 70W.
LM.1.50C	High Pressure Mercury 50W.
LM.1.80C	High Pressure Mercury 80W.
LM.1.125C	High Pressure Mercury 125W.

HS = High Pressure Sodium, MH = Metal Halide  
 LM = High Pressure Mercury

Complete custom design, and photometric data available upon request



### Iso-Lux Diagram



RD-RL-003/Rev./No.01