

The New HS, MH, and LM series offered a high durability in the most stringent tropical environment. This die-cast aluminium body, lens housing provide protection against water and road vibration. Its free flow figure, compose of non-corrodible material housing, made for a very long lasting and attractive environment blending looks. Glass cover is made of high pressure heat-resistance tempered glass which is locked in place by stainless steel hinges and snap catches IP55 protection of reflector housing tested according to international standard, ready for connecting to 220 Volt 50Hz CLASS I electrical supply.

Applications

For roadway and streetlight, warehouse, docks, interchanges, stock yards, airport or parking area

Control Gear

Integral with power factor (P.F.) correction not less than 0.9

Optics/Material

Reflector, made of high purity anodized aluminum

Lamps

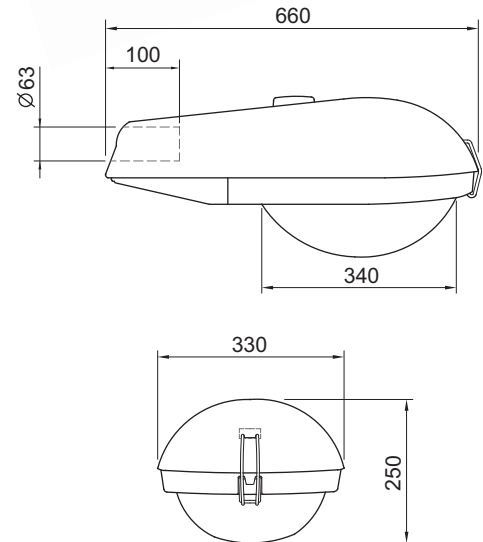
- 70W-250W High Pressure Sodium Lamp
- 150W-250W Metal Halide Lamp
- 80W-250W High Pressure Mercury Lamp

Materials/finish

- Body : Die Cast noncorrodible aluminum alloy, Gray paint coating
- Reflector cover : heat resistant, toughened glass
- Catches : Stainless steel

Mounting

Poles (Side entry)



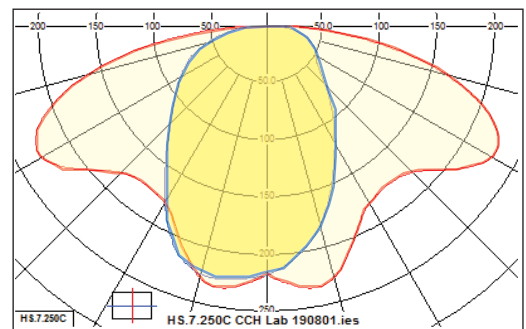
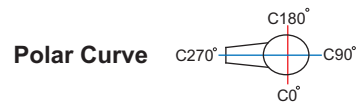
Dimensions in mm.

ORDER CODE

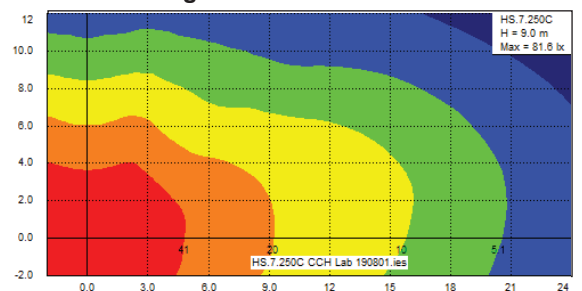
Type	Lamp
HS.7.70C	High Pressure Sodium 70W.
HS.7.150C	High Pressure Sodium 150W.
HS.7.250C	High Pressure Sodium 250W.
MH.7.150C	Metal Halide 150W.
MH.7.250C	Metal Halide 250W.
LM.7.80C	High Pressure Mercury 80W.
LM.7.125C	High Pressure Mercury 125W.
LM.7.250C	High Pressure Mercury 250W.

HS = High Pressure Sodium, MH = Metal Halide
LM = High Pressure Mercury

Complete custom design, and photometric data available upon request



Iso-Lux Diagram



RD-RL-003/Rev. No.01