

The New HS series offered a high durability in the most stringent tropical environment. This die-cast aluminium body, lens housing provide protection against water and road vibration. Its free flow figure, compose of non-corrodible material housing, made for a very long lasting and attractive environment blending looks. Glass cover is made of high pressure heat-resistance tempered glass which is locked in place by stainless steel hinges and snap catches. IP54 protection of reflector housing tested according to international standard. class I 1 Phase 220 Volt 50 Hz supply.

Applications

For roadway and streetlight, warehouse, docks, interchanges, stock yards, airport or parking area

Control Gear

Integral with power factor (P.F.) correction not less than 0.9

Optics/Material

Reflector, made of high purity anodized aluminum

Lamps

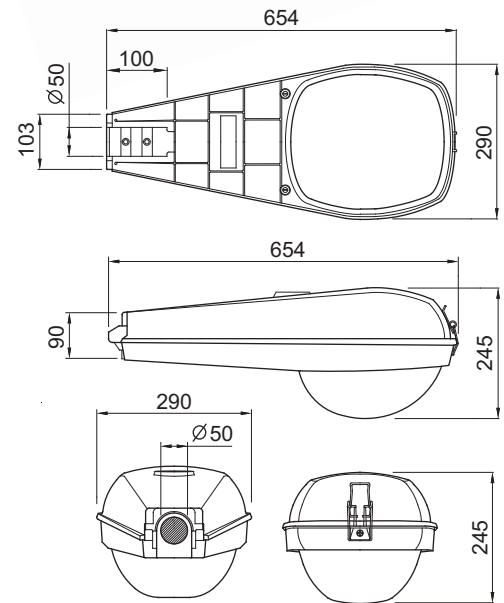
- 70W-250W High Pressure Sodium Lamp
- 150W-250W Metal Halide Lamp
- 80W-125W Pressure Mercury Lamp

Materials/finish

Body : Heavy gauge noncorrodible aluminum alloy, White paint coating
 Reflector cover : heat resistant, toughened glass
 Catches : Stainless steel

Mounting

Poles (Side entry)



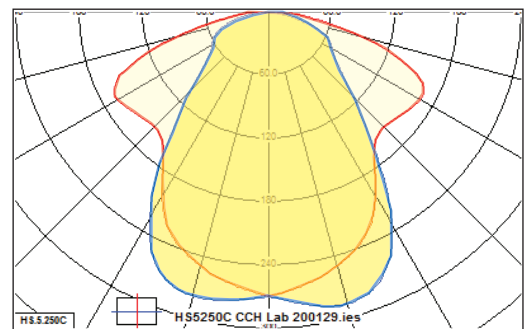
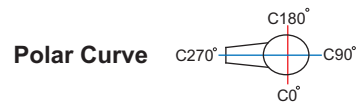
Dimensions in mm.

ORDER CODE

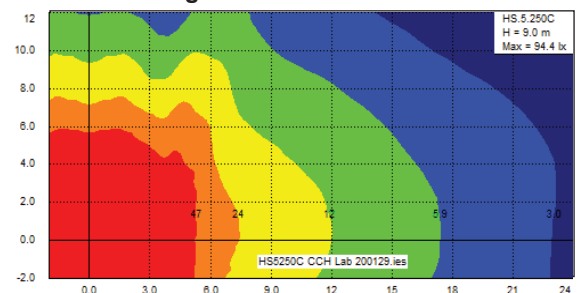
Type	Lamp
HS.5.70C	High Pressure Sodium 70W.
HS.5.150C	High Pressure Sodium 150W.
HS.5.250C	High Pressure Sodium 250W.
MH.5.150C	Metal Halide 150W.
MH.5.250C	Metal Halide 250W.
LM.5.80C	High Pressure Mercury 80W.
LM.5.125C	High Pressure Mercury 125W.

HS = High Pressure Sodium, MH = Metal Halide
 LM = High Pressure Mercury

Complete custom design, and photometric data available upon request



Iso-Lux Diagram



RD-RL-003/Rev./No.01