

A06 series



Floodlights For Indoor, Outdoor and Area Lighting

LED



The new LED Floodlight Luminaire provides improved horizontal and vertical uniformity and reduced glare. This die-cast aluminium body, combining strength, reliability and optimum photometric performance using LED technology, it minimizes light emission towards the upper hemisphere and provides a high degree of protection (IP66), environmentally friendly, it contains no hazardous materials. It provides a 30 to 40 percent reduction in system energy consumption and reduced maintenance frequency, it has an estimated service life of more than 50,000 hours rated life (more than 10 years). Ready for connecting to 220V, 50Hz, single phase, two wires electrical supply. Surge Protection 10 kV.

Applications

Road sign lighting such as Exit sign, Intersection sign, Rest areas, Outdoor lighting for example sporting facilities especially tennis courts, swimming pools, warehouse areas docks, interchanges, stock yards and outdoor airport parking, buildings and monuments, walk way, tunnel or underpasses where high degree of protection is required.

LED Driver

The LED driver is situated in an independently mounted compartment in the optical assembly

Optics

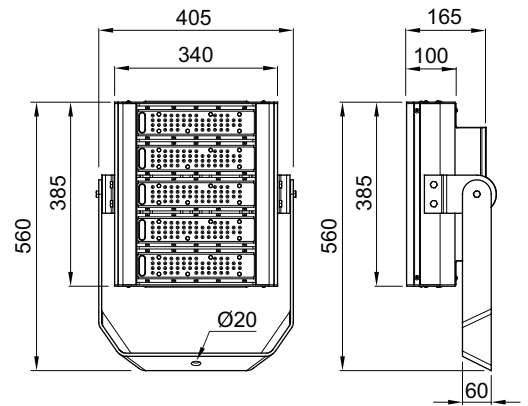
Optical made from PolyCarbonate (PC) assembly hermetically sealed providing IP66 protection & replaceable CRI >70, CCT 3000,4000,5700 Kelvin, 140 lm/W

Life time

50,000 hours

Installation / Mounting

Poles, Walls, Brackets, or Concrete bases



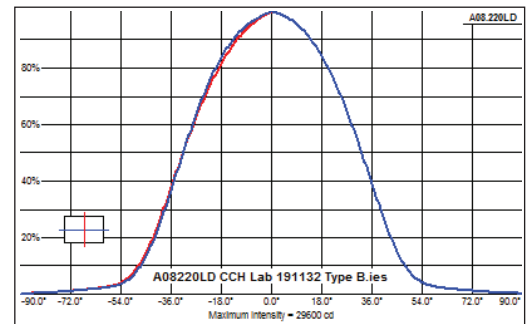
Dimensions in mm.

ORDER CODE

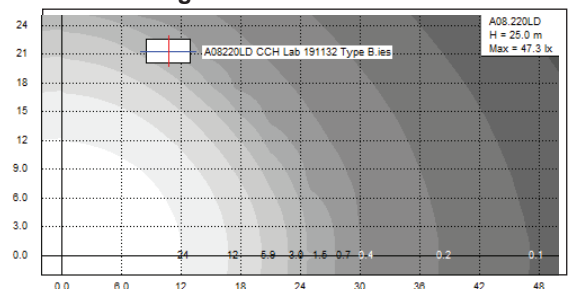
Type	Lamp
A06.100 LD	LED 100 W.
A06.110 LD	LED 110 W.
A06.120 LD	LED 120 W.
A06.130 LD	LED 130 W.
A06.140 LD	LED 140 W.
A06.150 LD	LED 150 W.
A06.160 LD	LED 160 W.
A06.170 LD	LED 170 W.
A06.180 LD	LED 180 W.
A06.190 LD	LED 190 W.
A06.200 LD	LED 200 W.
A06.210 LD	LED 210 W.
A06.220 LD	LED 220 W.

Complete custom design, and photometric data available upon request

H-V Curve



Iso-Lux Diagram



CHUE CHIN HUA CO.,LTD.

6 Moo4 Suksawad Road, Bangkru, Phrapradaeng, Samutprakarn 10130
 Tel: (662)091-8511 Fax: (662)463-3944-5
 e-mail: pole-sale@cch.co.th
 www.cch.co.th

